

Technical Manual

EMME

ANTINCENDIO

SAFETY
FOR
FUTURE



www.emme-italia.com

Via del Molino, 40 - 52010 Corsalone (AR) - Italy - info@emme-italia.com - Tel. +39.0575.511320
P.IVA/ C.F. 11208251006 - R.E.A. AR-159122

GW9AI 32093-710 : Portable Fire Extinguisher, 9 L Foam



FLUORINE FREE

FLOATING CARTRIDGE
INSIDE



CLIP DETAIL



- **CYLINDER**
In high-strength alloy steel, with clip, deep drawing, external powder painting Red Ral 3000.
- **EXTINGUISHING AGENT**
Water + cartridge with foaming additive, fluorine free.
- **PROPELLANT**
Auxiliary pressure.
Fire extinguisher pressurized at moment of use with 80g CO₂ cartridge.
- **VALVE**
M. 74x2, aluminum body, levers with green painting Ral 6018.
- **USE**
A B F fire rating
(solid materials, flammable liquids, cooking oils).

Note: image is for illustrative purpose only, the product purchased can has some difference

9 L foam fire extinguisher, auxiliary pressure, temperature range from +5°C to +60°C, manufactured in accordance to **UNI EN 3-7**, certified according to the directive for pressure equipment PED 2014/68/EU. Manufactured according to productions checks as agreed with **EN 3-10**. Quality Product certification guaranteed by Bureau Veritas Italia. Suitable for use on fire involving electrical voltages up to 1'000 V, at a minimum distance of 1 meter.

APPROVED/CERTIFIED FIRE EXTINGUISHER:



FIRE
RATING :



File name	Type of document	Fire Extinguisher Model	Date	Rele.	Check	Rev.	Pag.
32093-710_GW9AI_Technical manual	Technical manual	GW9AI_32093-710	30/05/25	S.R.		3	1/3

GW9AI 32093-710 : Portable Fire Extinguisher, 9 L Foam

- **INSTALLATION** The installation must be carried out in accordance with the provisions in force in the country where the device is used.
- **USE** The commissioning and maintenance activities for maintaining efficiency must be carried out in accordance with the document **PSA_1_ENG** by qualified technical personnel and in compliance with the regulations in force in the country of use.
- **MAINTENANCE** Any tampering or intervention carried out by unqualified personnel will void the product warranty.
It is recommended to place the device in a dry place protected from atmospheric agents.

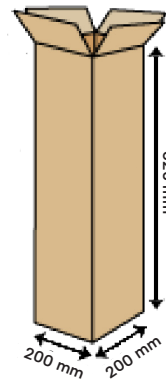
TECHNICAL SPECIFICATIONS

FIRE RATING	34 A 183 B 75 F
EXTINGUISHING AGENT	Water (8,91 L) + Green Wave Premix (90 ml cartridge) (* Hyper-filtered water with an osmosis process)
PROPELLANT	Cartridge with 80 g CO ₂
TEMPERATURE RANGE	+5°C / +60°C
NOMINAL CHARGE	9 Liters
FULL WEIGHT	~ 14,95 Kg
DIMENSIONS	Height (base - valve) 620 +/- 5 mm (with bottom) Diameter (cylinder) 182 +/- 2 mm
DISCHARGE TIME	~ seconds
CYLINDER PRESSURE TEST	PT 30 bar
CYLINDER VOLUME	10,78 L
SAFETY DEVICE	Set between 22 and 27 bar
CYLINDER MATERIAL	Alloy steel
TREATMENT	Outside: Sandblast and powder painting, Ral 3000 Inside: Plastic coating

PACKAGING

(Note: quantities and measurements are indicative and can be subject at changes)

STANDARD
Maximum nr. 30 pieces for pallet
(single packaging)
Pallet dimensions 100x120 cm



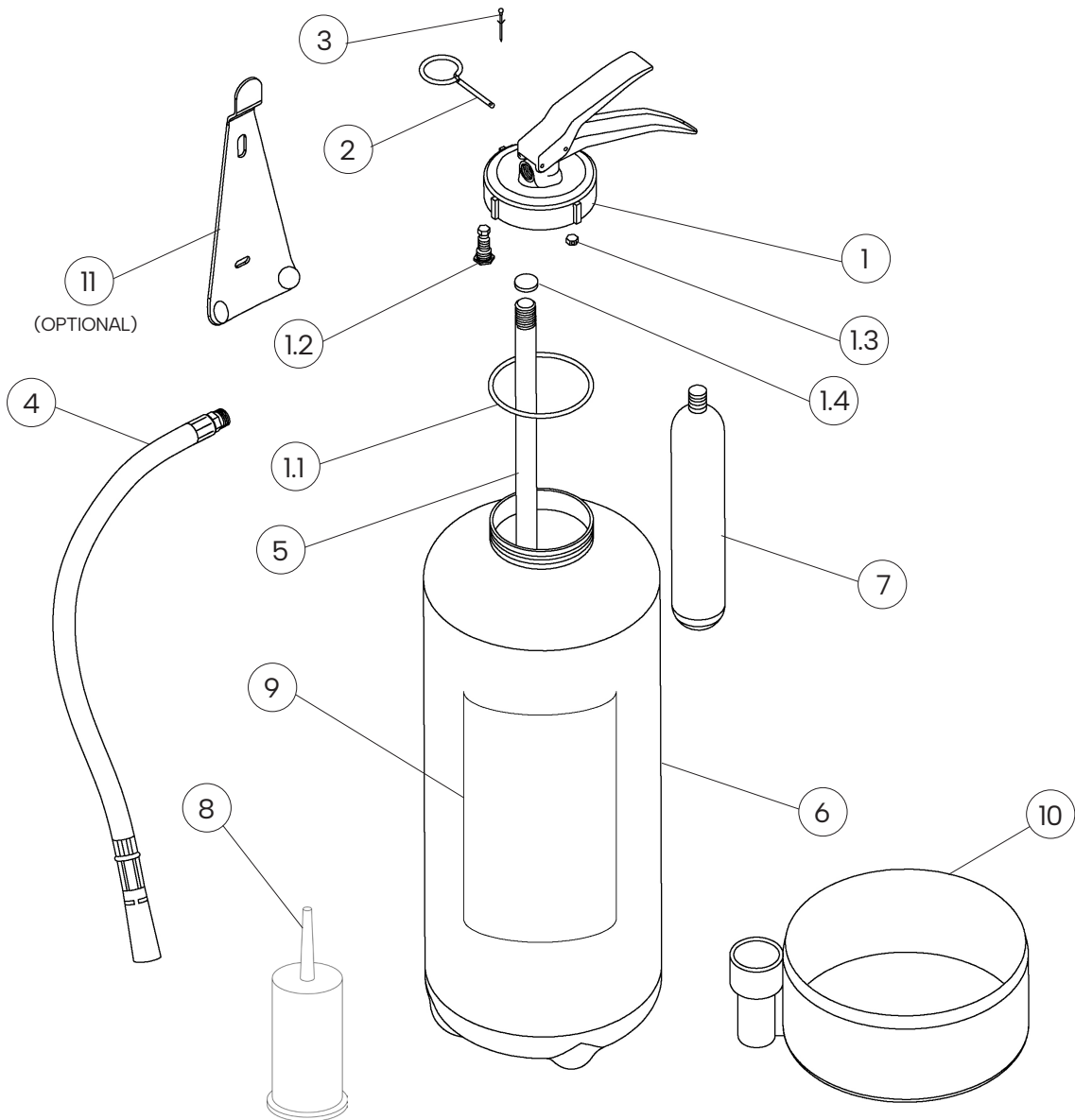
TRANSPORT DISPOSAL

Land transport : Exemption for the purposes of ADR disposal 594
Ship Transport : IMDG Code - UN 1044 class 2.2 Fire Extinguishers

File name	Type of document	Fire Extinguisher Model	Date	Rele.	Check	Rev.	Pag.
32093-710_GW9AI_Technical manual	Technical manual	GW9AI_32093-710	30/05/25	S.R.		3	2/3

GW9AI 32093-710 : Portable Fire Extinguisher, 9 L Foam

COMPONENTS AND SPARE PARTS LIST



NUM.	DESCRIPTION	CODE
1	Valve M. 74x2	3013-2
1.1	O-ring valve	0201-5
1.2	Safety device	n.a.
1.3	Pressurization cap	3033-2
1.4	Bursting disk for dip tube	0262-32
2	Safety pin	0282-1
3	Safety pin seal	0285
4	Hose with dispensing nozzle	2296-3V

NUM.	DESCRIPTION	CODE
5	PVC dip tube with filter	2180-2
6	Cylinder	3010
7	CO ₂ cartridge 80 g	3029-21
8	Cartridge with 90 ml additive	3412-4
9	Label	2247-710
10	Plastic bottom	3028-1
11 OPTIONAL	Wall-mounted bracket for fire extinguisher with clip	3036

The spare part at number 1 includes already all others components indicated from 1.1 to 1.4
 "n.a." mean that the component is not available as single spare part

File name	Type of document	Fire Extinguisher Model	Date	Rele.	Check	Rev.	Pag.
32093-710_GW9AI_Technical manual	Technical manual	GW9AI_32093-710	30/05/25	S.R.		3	3/3