

# Technical Manual



www.emme-italia.com

Via del Molino, 40 - 52010 Corsalone (AR) - Italy - info@emme-italia.com - Tel. +39.0575.511320  
 Other branches in Italy : Milano - Padova - Roma - Palermo - Cagliari - P.IVA/ C.F. 11208251006 - R.E.A. AR-159122

## 24063-3 : Portable Fire Extinguisher, 6 Kg ABC Powder



Clip Detail

- **CYLINDER**  
In high-strength alloy steel, 3 pieces drawing, with clip, external powder painting Red Ral 3000.
- **EXTINGUISHING AGENT**  
ABC powder - MAP 20 %.
- **PROPELLANT**  
Auxiliary pressure.  
Fire extinguisher pressurized at moment of use with 150g CO<sub>2</sub> cartridge.
- **VALVE**  
M. 74x2, lightweight aluminum alloy, activation with percussion method.
- **USE**  
A B C fire rating  
(solid materials, flammable liquids, flammable gas).
- **BRACKET**  
Wall-mounted bracket for fire extinguisher with clip, red painting, in standard equipment.

Note: image is for illustrative purpose only, the product purchased can has some difference

6 Kg powder fire extinguisher, auxiliary pressure, temperature range from -30°C to +60°C, manufactured in accordance to **UNI EN 3-7 (D.M. 7.1.2005)**, approved Marine Equipment Directive **MED 2014/90/EU**, certified according to the directive for pressure equipment PED 2014/68/EU. Manufactured according at productions checks as agreed with **EN 3-10**. Quality Product certification guaranteed by Bureau Veritas Italia. Suitable for use on fire involving electrical voltages up to 1'000 V, at a minimum distance of 1 meter.

APPROVED/CERTIFIED FIRE EXTINGUISHER:



**FIRE RATING :**



REPRODUCTION IS PROHIBITED

File name	Type of document	Fire Extinguisher Model	Date	Rele.	Check	Rev.	Pag.
24063-3_Technical manual	technical manual	24063-3	27/03/2024	M.R		1	1/3

# 24063-3 : Portable Fire Extinguisher, 6 Kg ABC Powder

- **INSTALLATION**
- **USE**
- **MAINTENANCE**

The installation and the control and/or recovery operations of fire extinguisher must be performed by qualified technician and in accordance to current regulations on the matter.

The technician will carry out **annual inspection** for check the internal pressure and after all other steps planned during the fire extinguisher useful life.

Any tampering or operation performed by unqualified technician, void the product warranty.

If possible, is recommended to place fire extinguisher in a dry place, protected from atmospheric agents.

**For installation, use and maintenance follow as indicated in file : EPA\_1\_ENG**

## TECHNICAL SPECIFICATIONS

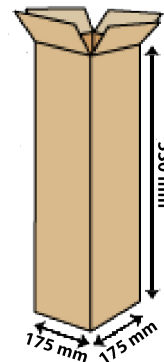
FIRE RATING	34 A 233 B C
EXTINGUISHING AGENT	ABC powder - MAP 20 % EPW 18462 (ABC Favorit Tertia - Rühl)
PROPELLANT	Cartridge with 150g CO <sub>2</sub>
TEMPERATURE RANGE	-30°C / +60°C
NOMINAL CHARGE	6 Kg
FULL WEIGHT	~ 10,5 Kg
DIMENSIONS	Height 515 (valve) / 530 (hose) +/- 5 mm Diameter (cylinder) 152 +/- 2 mm
DISCHARGE TIME	~ 15,4 seconds
VALVE TIGHTENING TORQUE	Minimum 40 Nm, Maximum 60 Nm
CYLINDER PRESSURE TEST	PT 30 bar
CYLINDER VOLUME	6,89 L.
SAFETY DEVICE	Set at 24 +/- 2 bar
CYLINDER MATERIAL	Alloy steel
TREATMENT	Outside: Sandblast and powder painting, Ral 3000

## PACKAGING

(Note: quantities and measurements are indicative and can be subject at changes)

### STANDARD

Maximum nr. 60 pieces for pallet  
(single packaging)  
Pallet dimensions 100x120 cm



## TRANSPORT DISPOSAL

Land transport : Exemption for the purposes of ADR disposal 594

Ship Transport : IMDG Code - UN 1044 class 2.2 Fire Extinguishers

File name	Type of document	Fire Extinguisher Model	Date	Rele.	Check	Rev.	Pag.
24063-3_Technical manual	technical manual	24063-3	27/03/2024	M.R		1	2/3

# 24063-3 : Portable Fire Extinguisher, 6 Kg ABC Powder

## COMPONENTS AND SPARE PARTS LIST

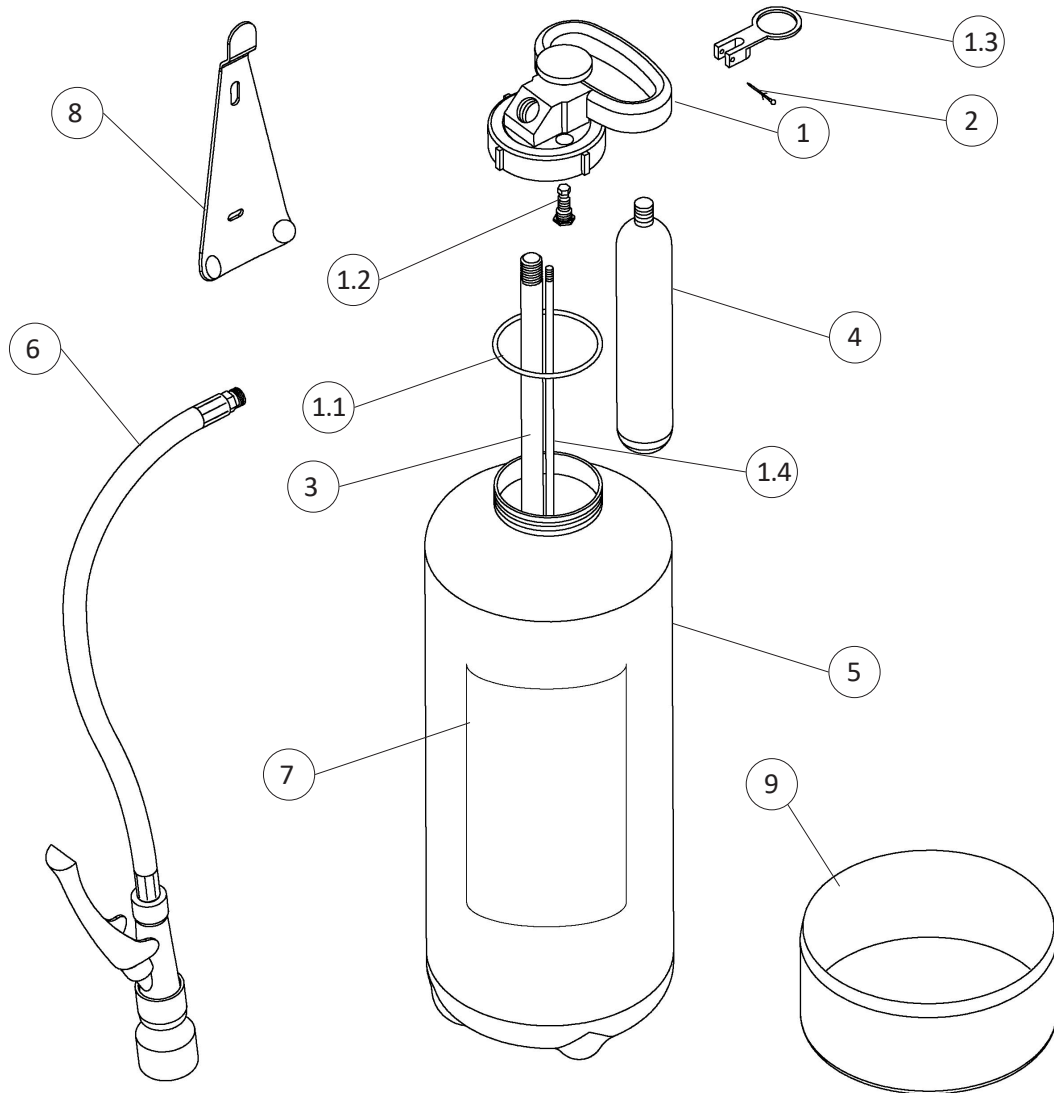


Table 1

NUM.	DESCRIZIONE	CODICE	NUM.	DESCRIZIONE	CODICE
1	Valve M. 74x2	3008-1	4	CO <sub>2</sub> cartridge 150 g	3030
1.1	O-ring valve	0201-5	5	Cylinder	n.a.
1.2	Safety device	n.a.	6	Hose with dispensing pistol	3014
1.3	Safety pin	n.a.	7	Label	3015
1.4	Pressurizer tube	n.a.	8	Wall-mounted bracket for fire extinguisher with clip	3036
2	Seal for safety pin	0285	9	Plastic bottom	n.a.
3	PVC dip tube	3033			

The spare part(valve) at number 1 includes already all others components indicated from 1.1 to 1.4  
 "n.a" means that are not available as single spare part

File name	Type of document	Fire Extinguisher Model	Date	Rele.	Check	Rev.	Pag.
24063-3_Technical manual	technical manual	24063-3	27/03/2024	M.R		0	3/3