

Technical Manual



www.emme-italia.com

Via del Molino, 40 - 52010 Corsalone (AR) - Italy - info@emme-italia.com - Tel. +39.0575.511320
P.IVA/ C.F. 11208251006 - R.E.A. AR-159122

GW2P 22020-700 : Portable Fire Extinguisher, 2 L Foam



FLUORINE FREE

- **CYLINDER**
In high-strength alloy steel, deep drawing, external powder painting Red Ral 3000.
- **EXTINGUISHING AGENT**
Fluorine free foam, water based.
- **PROPELLANT**
Nitrogen (N₂).
- **VALVE**
M. 30x1.5, brass body, levers with green painting Ral 6018.
- **USE**
A B F fire rating (solid materials, flammable liquids, cooking oils).

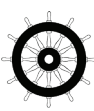
REPRODUCTION IS PROHIBITED

Note: image is for illustrative purpose only, the product purchased can has some difference

2 L foam fire extinguisher, temperature range from +5°C to +60°C, manufactured in accordance to **UNI EN 3-7**, approved Marine Equipment Directive **MED 2014/90/EU**, certified according to the directive for pressure equipment **PED 2014/68/EU**. Manufactured according to production checks as agreed with **EN 3-10**. Quality Product certification guaranteed by Bureau Veritas Italia.

Suitable for use on fire involving electrical voltages up to 1'000 V, at a minimum distance of 1 meter.

APPROVED/CERTIFIED FIRE EXTINGUISHER:



FIRE RATING :



File name	Type of document	Fire Extinguisher Model	Date	Rele.	Check	Rev.	Pag.
22020-700_GW2P_Technical manual	Technical manual	GW2P_22020-700	30/05/25	S.R.		3	1/3

GW2P 22020-700 : Portable Fire Extinguisher, 2 L Foam

- **INSTALLATION** The installation must be carried out in accordance with the provisions in force in the country where the device is used.
- **USE** The commissioning and maintenance activities for maintaining efficiency must be carried out in accordance with the document **PSP_1_ENG** by qualified technical personnel and in compliance with the regulations in force in the country of use.
- **MAINTENANCE** Any tampering or intervention carried out by unqualified personnel will void the product warranty.
It is recommended to place the device in a dry place protected from atmospheric agents.

TECHNICAL SPECIFICATIONS

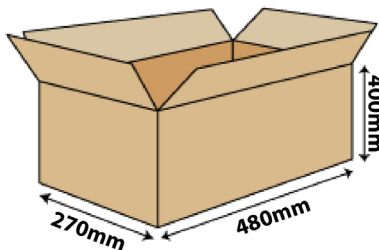
FIRE RATING	8 A 34 B 25 F
EXTINGUISHING AGENT	100% Green Wave Premix
PROPELLANT	Nitrogen (N ₂), 15 Bar at 20°C
TEMPERATURE RANGE	+5°C / +60°C
NOMINAL CHARGE	2 Liters
FULL WEIGHT	~ 3,90 Kg (with bracket)
DIMENSIONS	Height 385 (base - valve) +/- 5 mm Diameter (cylinder) 110 +/- 2 mm
DISCHARGE TIME	~ 9,5 seconds
CYLINDER PRESSURE TEST	PT 27 bar
CYLINDER VOLUME	2,45 L
SAFETY DEVICE	Set between 20 and 26 bar
CYLINDER MATERIAL	Alloy steel
TREATMENT	Outside: Sandblast and powder painting, Ral 3000 Inside: Plastic coating

PACKAGING

(Note: quantities and measurements are indicative and can be subject at changes)

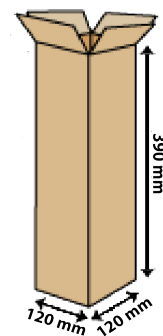
STANDARD

Note: minimum 8 pieces
Maximum nr. 256 pieces for pallet
(32 boxes with 8 pieces for each one)
Pallet dimensions 100x120 cm



ON REQUEST: SINGLE PACKAGING

- maximum 210 pieces on pallet 100x120

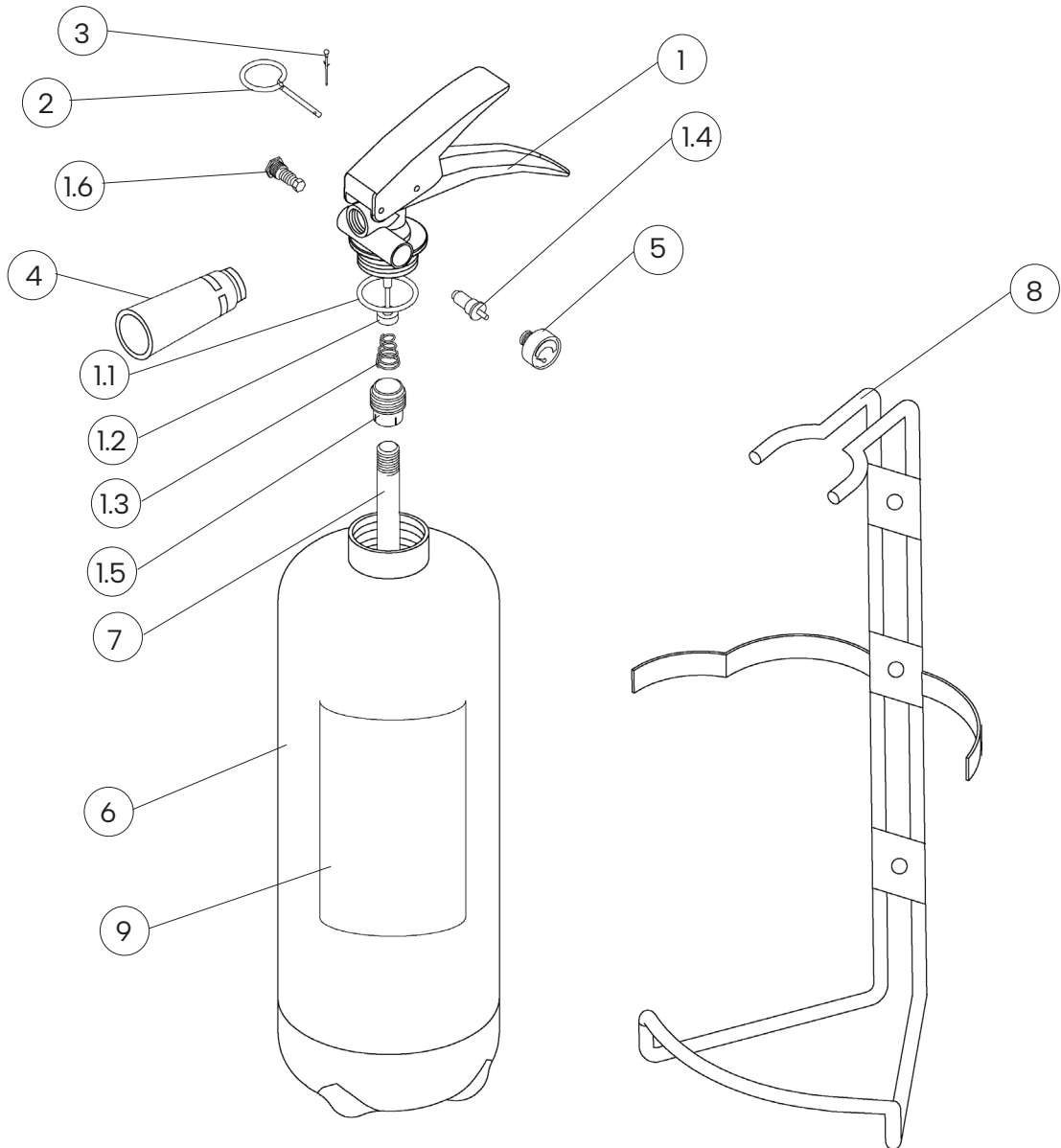


TRANSPORT DISPOSAL

Land transport : Exemption for the purposes of ADR disposal 594
Ship Transport : IMDG Code - UN 1044 class 2.2 Fire Extinguishers

File name	Type of document	Fire Extinguisher Model	Date	Rele.	Check	Rev.	Pag.
22020-700_GW2P_Technical manual	Technical manual	GW2P_22020-700	30/05/25	S.R.		3	2/3

COMPONENTS AND SPARE PARTS LIST



NUM.	DESCRIPTION	CODE
1	Valve M. 30x1.5	SL0211-3V
1.1	O-ring valve	n.a.
1.2	Valve stem	n.a.
1.3	Internal spring of the valve	n.a.
1.4	Test valve for pressure gauge	1163
1.5	Dip tube holder	n.a.
1.6	Safety device	0261R
2	Safety pin	0282-1
3	Safety pin seal	0285

NUM.	DESCRIPTION	CODE
4	Dispensing nozzle	1645-5
5	Pressure gauge	1576
6	Cylinder	1579-5
7	PVC dip tube with filter	0152F
8	Bracket	0327
9	Label	1581-700

The spare part at number 1 includes already all others components indicated from 1.1 to 1.6
 "n.a." mean that the component is not available as single spare part

File name	Type of document	Fire Extinguisher Model	Date	Rele.	Check	Rev.	Pag.
22020-700_GW2P_Technical manual	Technical manual	GW2P_22020-700	30/05/25	S.R.		3	3/3