

# Technical Manual



www.emme-italia.com

Via del Molino, 40 - 52010 Corsalone (AR) - Italy - info@emme-italia.com - Tel. +39.0575.511320  
P.IVA/ C.F. 11208251006 - R.E.A. AR-159122

## GW25A 19258-701 : Wheeled Fire Extinguisher, 25 L Foam



### FLUORINE FREE



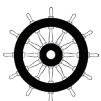
- **CYLINDER**  
Stainless steel AISI 304, powder painting, Red Ral 3000.
- **EXTINGUISHING AGENT**  
Fluorine free foam, water based.
- **PROPELLANT**  
Auxiliary pressure.  
Fire extinguisher pressurized at moment of use with Nitrogen (N<sub>2</sub>).
- **CAP**  
2"-F, brass.
- **USE**  
A B fire rating  
(solid materials, flammable liquids).
- **BRACKET**  
Chassis on wheels, welded at the cylinder, red painting Ral 3000.
- **DISPENSING PISTOL**  
Body in plastic material.  
The rotating connection allow an easy unroll of hose.

REPRODUCTION IS PROHIBITED

*Note: image is for illustrative purpose only, the product purchased can have some differences*

25 L foam wheeled fire extinguisher, pressurized at moment of use, temperature range from +5°C to +60°C, manufactured in accordance to **UNI EN 1866-1**, approved Marine Equipment Directive **MED 2014/90/UE**, certified according to the directive for pressure equipment **PED 2014/68/EU**. Quality Product certification guaranteed by Bureau Veritas Italia. Suitable for use on fire involving electrical voltages up to 1'000 V, at a distance of 1 meter.

ESTINTORE APPROVATO/CERTIFICATO:



**FIRE RATING :**



File name	Type of document	Fire Extinguisher Model	Date	Rel.	Check	Rev.	Pag.
19258-701_GW25A_Technical Manual	Technical Manual	GW25A_19258-701	30/05/2025	S.R.		3	1/3

# GW25A 19258-701 : Wheeled Fire Extinguisher, 25 L Foam

- **INSTALLATION** The installation must be carried out in accordance with the provisions in force in the country where the device is used. The commissioning and maintenance activities for maintaining efficiency must be carried out in accordance with the document **CSA\_1\_ENG** by qualified
- **USE** technical personnel and in compliance with the regulations in force in the country of use.
- **MAINTENANCE** Any tampering or intervention carried out by unqualified personnel will void the product warranty.  
It is recommended to place the device in a dry place protected from atmospheric agents.

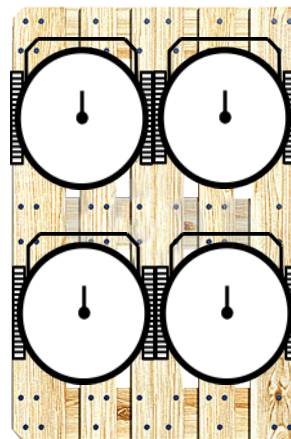
## TECHNICAL SPECIFICATIONS

FIRE RATING	A IV B
EXTINGUISHING AGENT	100% Green Wave Premix
PROPELLANT	Nitrogen (N <sub>2</sub> ), 60 Bar
TEMPERATURE RANGE	+5°C / +60°C
NOMINAL CHARGE	25 Liters
FULL WEIGHT	~ 48,5 Kg
DIMENSIONS	Height 930 +/- 10 mm ; Width 425 +/- 10 mm Depth 430 +/- 15 mm
DISCHARGE TIME	~ 153 seconds
CYLINDER PRESSURE TEST	PT 30 bar
CYLINDER VOLUME	31 L
SAFETY DEVICE	Set between 21 and 26 bar
CYLINDER MATERIAL	Stainless steel AISI 304
TREATMENT	Outside: Sandblast and powder painting Ral 3000

## PACKAGING

(Note: the packaging quantities and measurements are indicative and can be subject at change)

STANDARD  
Maximum nr. 4 pieces for pallet  
Pallet dimensions 100x120x120(h) cm



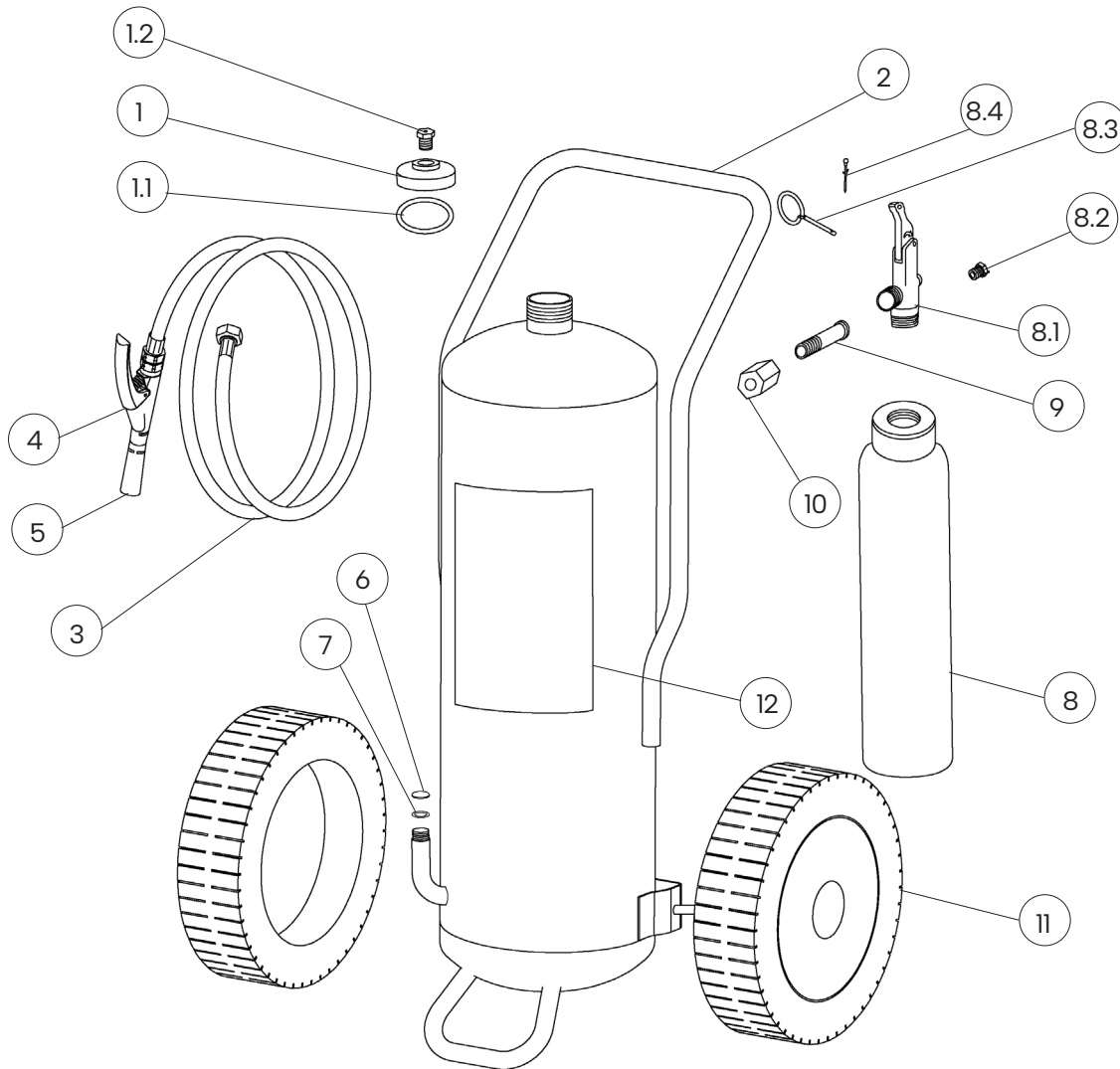
## TRANSPORT DISPOSAL

Land transport : Exemption for the purposes of ADR disposal 594  
Ship Transport : IMDG Code - UN 1044 class 2.2 Fire Extinguishers

File name	Type of document	Fire Extinguisher Model	Date	Rel.	Check	Rev.	Pag.
19258-701_GW25A_Technical Manual	Technical Manual	GW25A_19258-701	30/05/2025	S.R.		3	2/3

# GW25A 19258-701 : Wheeled Fire Extinguisher, 25 L Foam

## COMPONENTS AND SPARE PARTS LIST



NUM.	DESCRIPTION	CODE
1	2" brass cap	18463
1.1	O-ring cap	n.a.
1.2	Safety device	n.a.
2	Cylinder	18317
3	Hose	18421-5
4	Dispensing pistol	2181-4
5	Dispensing nozzle	1645-5
6	Membrane	0262-4
7	Copper washer	2148-11
8	Complete pressurization cylinder, with 60 bar of Nitrogen	18516-1

NUM.	DESCRIPTION	CODE
8.1	Tilting valve W28.8 x 1/14" for nitrogen cylinder	0223L
8.2	Safety device	n.a.
8.3	Safety pin	0282-1
8.4	Safety pin seal	0285
9	Fitting for cylinder with nitrogen cylinder	18489
10	Fitting for nitrogen cylinder with cylinder	18495
11	Wheel + stop wheel (diam. 300mm)	0124V
12	Label	18366-71

The spare part at number 1 (valve) includes already others components 1.1 and 1.2  
 The spare part at number 8 (cylinder) includes already others components indicated from 8.1 to 8.4  
 "n.a." mean that the component is not available as single spare part.

File name	Type of document	Fire Extinguisher Model	Date	Rele.	Check	Rev.	Pag.
19258-701_GW25A_Technical Manual	Technical Manual	GW25A_19258-701	30/05/2025	S.R.		3	3/3