



## Data Sheet

Code 19118 L 100 Foam Wheeled Fire Extinguisher EN 1866-1  
Code 15118 Approved European Marine Equipment Directive (MED 96/98/CE)  
Fire Rating A IV B



### Features

- Manufacture in accordance with and tested EN 1866-1.
- Approved by European Marine Directive MED 96/98/CE
- S.O.L.A.S. (Safety of life at sea) '74 (2000)
- CE marked modul H according to PED 2014/68/EU
- *Quality Product* certification guaranteed by Bureau Veritas Italia
- Permanent pressure with N2 or dehumidified air
- Steel AISI 304 cylinder
- Foam EWAB 6

It can be used on electrical equipment up to 1000 V voltage.

Suitable on class A fires (combustible materials) and Class B fires (flammable liquids)

- Manufactured in Italy

File Name	Code	Date	Ceck	Rev.	Pag.
DS_19118_18260.Docx	19118	16/08/2016	M.P.	0	1/2

#### EMME ANTINCENDIO S.r.l

Factory: Via del Molino, 40 - 52010 Corsalone (AR) - Italy - Tel. +39.0575.511320  
Warehouse: Via G. Di Vittorio, 11 - 20017 Mazzo di Rho (MI) - Italy - Tel. +39.0293900399  
E-mail: [info@emme-italia.com](mailto:info@emme-italia.com) - [milano@emme-italia.com](mailto:milano@emme-italia.com) - web site: [www.emme-italia.com](http://www.emme-italia.com)  
P.IVA/ C.F. 11208251006 - R.E.A. FI-632545 -



**Technical Specifications**

Model EN 1866-1	<i>cod. 19118</i>
Model MED 96/98CE	<i>cod. 15118</i>
Fire Rating	<i>A IV B</i>
Extinguishing Agent	<i>Foam EWAB 6</i>
Temperature Range	<i>+5°C + 60°C</i>
Working pressure	<i>Dehumidified air or N2</i> <i>14 Bar a 20°C</i>
Nominal Charge	<i>L 100</i>
Cylinder Volume	<i>L 130</i>
Discharge Time	<i>100 sec.</i>
Discharge Range	<i>10 m</i>
Hose	<i>EPDM m 5</i>
Cylinder Pressure Test	<i>PT 30 Bar</i>
Cylinder material	<i>Stainless Steel Aisi 304</i>
External Treatment	<i>Sandblast, epoxy polyester coating red RAL 3000</i>

Discharge Valve	<i>2" Brass</i>
Safety Valve	<i>22 +/- 2 Bar</i>

**Dimensions**

Height	<i>1300 mm</i>
Width	<i>550 mm</i>
Depth	<i>530 mm</i>
Full weight	<i>Kg 155</i>
Packaging	<i>80x120x150cm pcs. 2</i>

**Installation**

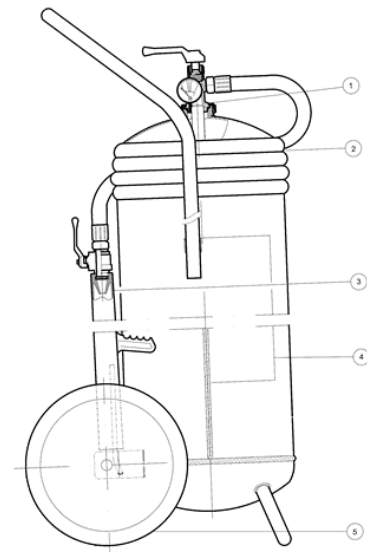
Do not expose the fire extinguisher to direct sunlight.  
A protective Pvc cover is recommended when installed in marine and off-shore environments

**Spare Parts List**

Pos.	Description	Code
1	Valve	0214
1	Safety Valve	0263
1	Pressure Gauge	1576
2	Hose m 5	18421
3	Nozzle	18447
4	Foam EWAB 6	2144
5	Wheel d. 400 mm	0125

**Optional**

Cover pvc **Code 1796**



**Maintenance**

The extinguishers must be inspected and serviced by a TRAINED QUALIFIED PERSON in accordance with the local regulation concerning the inspections of the pressure equipments fire extinguishers. To ensure safe, trouble free performance and long life of the extinguishers, the manufacturer recommends the following: At least every two years replace the extinguishing agent; Inspect the cylinder and valve assembly for any external and internal damage or corrosion. Repair or replace all defective parts using only Manufacturers supplied parts or refills; At least every 12 years from date of manufacture the extinguisher must be overhauled by means of an hydraulic pressure test at the pressure PT stamped on the cylinder, and submitted to a thorough inspection of the cylinder and valve should be made checking for any external or internal damage or corrosion. Any defective parts should be repaired or replaced using the specified parts mentioned in the spare part list.

File Name	Code	Date	Check	Rev.	Pag.
DS_19118_18260.Docx	19118	16/08/2016	M.P.	0	2/2

**EMME ANTINCENDIO S.r.l**

Factory: Via del Molino, 40 - 52010 Corsalone (AR) - Italy - Tel. +39.0575.511320  
Warehouse: Via G. Di Vittorio, 11 - 20017 Mazzo di Rho (MI) - Italy - Tel. +39.0293900399  
E-mail: [info@emme-italia.com](mailto:info@emme-italia.com) - [milano@emme-italia.com](mailto:milano@emme-italia.com) - web site: [www.emme-italia.com](http://www.emme-italia.com)  
P.IVA/ C.F. 11208251006 - R.E.A. FI-632545 -