



Data Sheet

Code 18158-1 Kg 150 Powder Wheeled Fire Extinguisher EN 1866-1
Code 16158-1 Approved European Marine Equipment Directive (MED 96/98/CE)
Fire Rating A IV B C



Features



- Manufactured in accordance with and tested EN 1866-1.
- Approved to European Marine Directive MED 96/98/CE
- S.O.L.A.S. (Safety of life at sea) '74 (2000)
- CE Marked according to Directive PED 2014/68/EU
- *Quality Product* certification guaranteed by Bureau Veritas Italia
- Pressurized at moment of use with N2 cylinder
- EPW 18462 Powder

The powder is not conductive and the fire extinguisher may be used in presence of electric equipment up to 1000V.

ABC Powder is ideal for Class A fires (solid combustibles), Class B fires (flammable liquids) and Class C fires (flammable gases).

- Manufactured in Italy

File Name	Code	Date	Ceck	Rev.	Pag.
DS_18158-1_18231.Docx	18158-1	16/08/2016	M.P.	0	1/2

EMME ANTINCENDIO S.r.l



Technical Specifications

Model EN 1866-1	<i>cod. 18158-1</i>
Model Med 96/98	<i>cod. 16158-1</i>
Fire Rating	<i>A IV B C</i>
Extinguishing Agent	<i>EPW 18462</i>
Temperature Range	<i>-30°C + 60°C</i>
Propellant	<i>Side Cylinder N2 at 90 bar</i>
Nominal Charge	<i>Kg 150</i>
Cylinder Volume	<i>L 170</i>
Discharge Time	<i>120 sec.</i>
Discharge Range	<i>10 m</i>
Hose	<i>EPDM m 10</i>
Cylinder Pressure Test	<i>PT 30 Bar</i>
Cylinder Material	<i>Carbon Steel EN10111</i>
External Treatment	<i>Sandblast, epoxy polyester coating red RAL 3000</i>

Cap"	<i>Brass</i>
Safety Valve	<i>22 +/- 2 Bar</i>

Dimensions

Height	<i>1350 mm</i>
Width	<i>630 mm</i>
Depth	<i>750 mm</i>
Full weight	<i>Kg 210</i>
Packaging	<i>80x120x150cm 1pcs.</i>

Installation

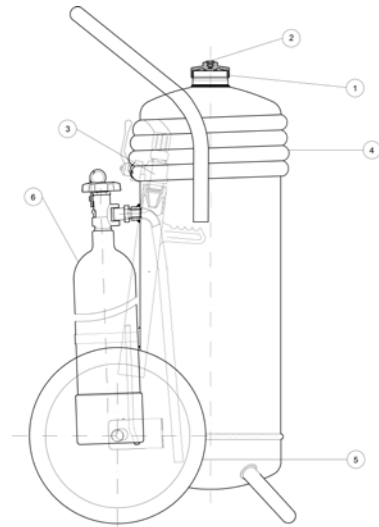
Do not expose the fire extinguisher to direct sunlight.
A protective Pvc cover is recommended when installed in marine and off-shore environments

Spare Parts List

Pos.	Descrizione	Codice
1	Cap 2"	18463
2	Safety Valve	2048
3	Nozzle	0334
4	Hose m 10	18422
5	Wheel d. 400 mm	0125
6	N2 Cylinder	18517
00	EPW 18462 Powder	18462

Optional

Cover pvc	Code 1797
-----------	------------------



Maintenance

The extinguishers must be inspected and serviced by a TRAINED QUALIFIED PERSON in accordance with the local regulation concerning the inspections of the pressure equipments fire extinguishers. To ensure safe, trouble free performance and long life of the extinguishers, the manufacturer recommends the following: At least every two years replace the extinguishing agent; Inspect the cylinder and valve assembly for any external and internal damage or corrosion. Repair or replace all defective parts using only Manufacturers supplied parts or refills; At least every 12 years from date of manufacture the extinguisher must be overhauled by means of an hydraulic pressure test at the pressure PT stamped on the cylinder, and submitted to a thorough inspection of the cylinder and valve should be made checking for any external or internal damage or corrosion. Any defective parts should be repaired or replaced using the specified parts mentioned in the spare part list.

File Name	Code	Date	Check	Rev.	Pag.
DS_18158-1_18231.Docx	18158-1	16/08/2016	M.P.	0	2/2

EMME ANTINCENDIO S.r.l

Factory: Via del Molino, 40 - 52010 Corsalone (AR) - Italy - Tel. +39.0575.511320
Warehouse: Via G. Di Vittorio, 11 - 20017 Mazzo di Rho (MI) - Italy - Tel. +39.0293900399
E-mail: info@emme-italia.com - milano@emme-italia.com - web site: www.emme-italia.com
P.IVA/ C.F. 11208251006 - R.E.A. FI-