



Data Sheet

Code 17504 Kg 50 Carbon Dioxide Wheeled Fire Extinguisher EN 1866-1
Code 14504 Approved European Marine Equipment Directive (MED 96/98/CE)
Fire Rating 233 B



Features

- Manufacture in accordance with and tested EN 1866-1
- Approved by European Marine Directive MED 96/98/CE
- S.O.L.A.S. (Safety of life at sea) 74 (2000)
- CE Marked in according with the Directive PED 2014/68/EU
- Quality Product certification guaranteed by Bureau Veritas Italia
- Carbon Dioxide 99,9%

It can be used on electrical equipment up to 1000 V voltage.

Suitable on class Class B fires (flammable liquids) .

- Manufactured in Italy

File Name	Code	Date	Check	Rev.	Pag.
DS_17504_1828 4.Docx	17504	11/08/2016	M.P.	0	1/2

EMME ANTINCENDIO S.r.l



Technical specifications

Model EN 1866-1	<i>cod. 17504</i>
Model MED 96/98CE	<i>cod. 14504</i>
Fire Rating	<i>233 B</i>
Extinguishing Agent	<i>Co2</i>
Temperatura di utilizzo	<i>-30°C + 60°C</i>
Pressure	<i>60 Bar</i>
Nominal Charge	<i>Kg 50</i>
Cylinder Volume	<i>L 67</i>
Discharge Time	<i>55 sec.</i>
Discharge Range	<i>5 m</i>
Hose	<i>Sae 100 R1T 1/2" m 5</i>
Maximun allowable Pressure	<i>PS 178 Bar</i>
Cylinder Pressure Test	<i>PT 250 Bar</i>
Cylinder Material	<i>Steel Alloy 34 Cr Mo4</i>
External treatment	<i>Sandblast, epoxy polyester coating red RAL 300</i>

Discharge valve *Brass*
Safety valve *Set 185 +/- 20 Bar*

Dimensions

Height 1440 mm
Width 1400 mm
Depth 650 mm
Full weight Kg 155
Packaging 100x120x160cm pcs. 6

Installation

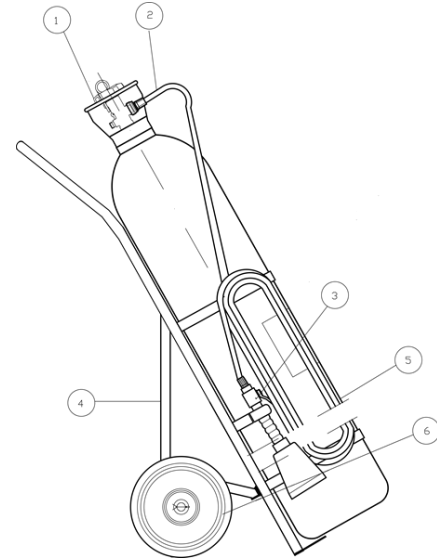
Do not expose the fire extinguisher to direct sunlight.
A protective Pvc cover is recommended when installed in marine and off-shore environments

Spare Parts List

Pos.	Description	Code
1	Valve	1153
2	Hose	18426
3	Nozzle	0336
4	Frame	18487
5	Cylinder	18233
6	Wheel d. 400 mm	0125

Optional

Cover pvc **Code 1796**



Maintenance

The extinguishers must be inspected and serviced by a TRAINED QUALIFIED PERSON in accordance with the local regulation concerning the inspections of the pressure equipment fire extinguishers. To ensure safe, trouble free performance and long life of the extinguishers, the manufacturer recommends the following: At least every two years replace the extinguishing agent; Inspect the cylinder and valve assembly for any external and internal damage or corrosion. Repair or replace all defective parts using only manufacturers supplied parts or refills; At least every 10 years from date of manufacture the extinguisher must be overhauled by means of an hydraulic pressure test at the pressure PT stamped on the cylinder, and submitted to a thorough inspection of the cylinder and valve should be made checking for any external or internal damage or corrosion. Any defective parts should be repaired or replaced using the specified parts mentioned in the spare part list.

File Name	Code	Date	Ceck	Rev.	Pag.
DS_17504_1828 4.Docx	17504	11/08/2016	M.P.	0	2/2

EMME ANTINCENDIO S.r.l

Factory: Via del Molino, 40 - 52010 Corsalone (AR) - Italy - Tel. +39.0575.511320
Warehouse: Via G. Di Vittorio, 11 - 20017 Mazzo di Rho (MI) - Italy - Tel. +39.0293900399
E-mail: info@emme-italia.com - milano@emme-italia.com - web site: www.emme-italia.com
P.IVA/ C.F. 11208251006 - R.E.A. FI-632545 -