

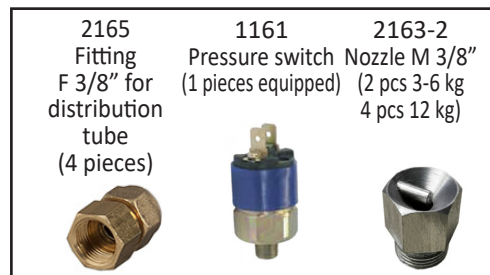


EMME ANTINCENDIO S.r.l.  
www.emme-italia.com

## AUTOMATIC DEVICE "INDUSTRIAL SERIES" 3-6-12 Kg Powder



### Included accessories



### Not Included accessories (only on request)



Note for pressure switch: The pressurized device is "normally open".  
The pressure switch alone, not installed on the device, is "normally closed".

Note: image is for illustrative purpose only, the product purchased can have some differences

Powder Automatic Device, Industrial Series, available charge 3, 6, 12 Kg, temperature range from -30°C to +60°C, certified according to the directive for pressure equipment PED 2014/68/EU.

Quality Product certification guaranteed by Bureau Veritas Italia.

Suitable for use on fire involving electrical voltages up to 1'000 V, at a distance of 1 mt.

- **CYLINDER**  
Alloy steel, epoxy polyester powder painting, Red Ral 3000.
- **EXTINGUISHING AGENT**  
ABC Powder - MAP 20 %
- **PROPELLANT**  
Nitrogen (N<sub>2</sub>)
- **VALVE**  
Automatic M. 30x1.5, set 93 °C.  
(with bulb in standard equipment)  
Supplied with pressure switch set at 11 bar.
- **USE**  
A B C fire rating (solid materials, flammable liquids, flammable gas).
- **ACTIVATION**  
- Automatic when bulb temperature is reached. On request (see optional):  
- with manual actuator with handle;  
- with pyrotechnic cartridge for electric activation.
- **BRACKET**  
Wall-mounted in standard equipment.

## AVAILABLE VERSIONS

CODE	POWDER QUANTITY	DIMENSIONS (without bracket) H x L max x Ø cylinder (mm)	M3/Kg	DISTRIBUTION TUBE LENGTH	DISCHARGE TIME	COVERAGE AREA
11039	Kg 3	440 +/-5 x 140 +/-3 x 130 +/-1	0,1373	recommended 4 m	20 sec.	5 sq.m
11069	Kg 6	490 +/-5 x 160 +/-3 x 160 +/-3	0,1373	recommended 6 m	35 sec.	10 sq.m
11129	Kg 12	590 +/-5 x 190 +/-3 x 190 +/-3	0,1373	recommended 8 m	60 sec.	20 sq.m

APPROVED/CERTIFIED DEVICE:



FIRE RATING :



# AUTOMATIC DEVICE "INDUSTRIAL SERIES"

## 3-6-12 Kg Powder

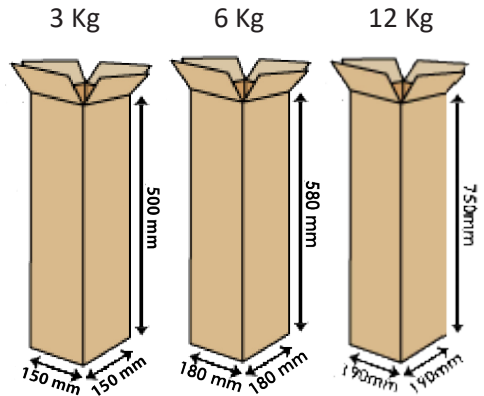
### TECHNICAL SPECIFICATIONS

FIRE RATING	A B C
EXTINGUISHING AGENT	EPW 18462 (ABC powder - MAP 20 %)
PROPELLANT	Nitrogen (N <sub>2</sub> ) 15 Bar at 20°C
TEMPERATURE RANGE	-30°C / +60°C
CYLINDER PRESSURE TEST	PT 27 bar
VALVE TIGHTENING TORQUE	Between 40 and 50 Nm
CYLINDER MATERIAL	Alloy steel
EXTERNAL/INTERNAL TREATMENT	Sandblast and epoxy polyester powder painting, Red Ral 3000 colour

### PACKAGING

STANDARD : single packaging

*Note: the packaging quantities and measurements are indicative and can be subject at changes*

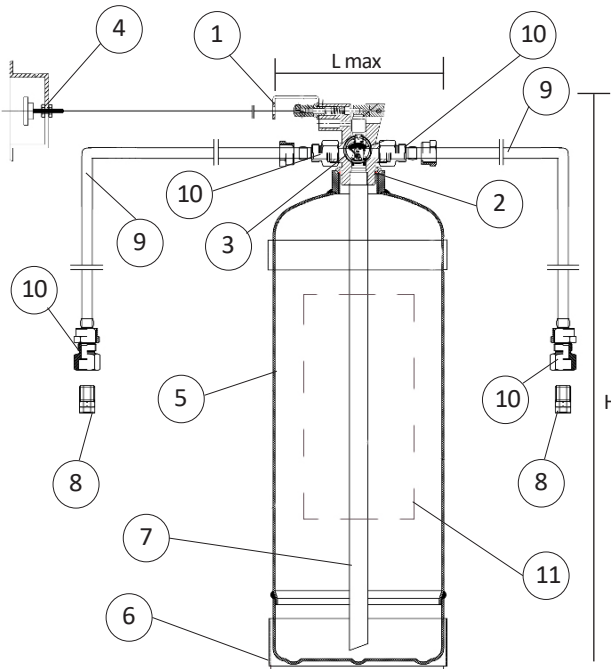


### MAINTENANCE AND INSTALLATION

Install the system in vertical position using the supplied bracket. Place the distribution pipe and fix the nozzles. Remove the safety pin to make operating system.

Recommended maintenance : see specification in Use and Maintenance Manual equipped with the device, comply with the rules in use in utilization country.

#### EXAMPLE OF AUTOMATIC DEVICE INSTALLATION



#### AVAILABLE THERMOSENSIBLE BULBS

ACTIVATION TEMPERATURE	68°C	93°C
BULB COLOUR	Red	Green
CODE	9510	9511

#### SPARE PARTS

N.	DESCRIPTION	CODE
1	Valve M. 30x1.5 with thermosensible bulb for activation at 93°C	1906
2	Valve o-ring	0201
3	Pressure gauge	0272
4 - OPTIONAL	Manual actuator in control box(cable 10 m)	1891
5	Cylinder 3 Kg Cylinder 6 Kg Cylinder 12 Kg	0103 1848K 0105-8
6	Iron bracket 3 Kg Iron bracket 6 Kg Iron bracket 12 Kg	0315-1 0316-1 0317-1
7	PVC dip tube 3 Kg PVC dip tube 6 Kg PVC dip tube 12 Kg	0153 1859 0155-2
8	Dispensing nozzle AVP M 3/8"	2163-2
9 - OPTIONAL	Aluminum distribution tube Ø 10, PVC coated	2164
	Fitting F 3/8" "Y" (only for 12 kg)	2165-2
10	Fitting F 3/8" for distribution tube	2165
OPTIONAL	Pyrotechnic cartridge	2166-1
11	Label	2064-1

*In new installations, the devices for to be operative need at least of this components: 2164; 2165; 2163-2*

#### EMME ANTINCENDIO S.r.l

Via del Molino, 40 - 52010 Corsalone (AR) - Italy  
info@emme-italia.com - Tel. +39.0575.511320  
Others Emme Antincendio s.r.l. warehouses in Italy : Milano - Padova - Roma  
P.IVA/ C.F. 11208251006 - R.E.A. FI-632545

File name	Code	Date	Rele.	Check	Rev.	Pag.
ds_ind.powder	-	08/08/23	M.R	MR	2	2