



17504

50kg Co2 WHEELED FIRE EXTINGUISHER



- **CYLINDER**
Alloy steel, epoxy polyester powder painting, Red Ral 3000.
- **EXTINGUISHING AGENT**
Carbon Dioxide 99,99%
- **VALVE**
W 28.8, brass body, red painting Ral 3000, with protection for valve.
- **USE**
B fire rating (flammable liquids)
- **BRACKET**
Chassis on wheels, red painting Ral 3000.

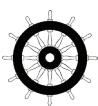
Note: image is for illustrative purpose only, the product purchased can has some differences

50kg Co2 wheeled fire extinguisher, temperature range from -30°C to +60°C, manufactured in accordance to **EN 1866-1**, approved to European Marine Directive **MED 2014/90/EU, S.O.L.A.S.** (Safety of life at sea) '74 (2000), certified according to the directive for pressure equipment PED 2014/68/EU. Quality Product certification guaranteed by Bureau Veritas Italia. Suitable for use on fire involving electrical voltages up to 1000 V, at a distance of 1 mt.

AVAILABLE VERSIONS

N.	CODE	DESCRIPTION
1	14504	50kg Co2 fire extinguisher, complies MED 2014/90/EU

APPROVED/CERTIFIED FIRE EXTINGUISHER:



FIRE RATING :



233

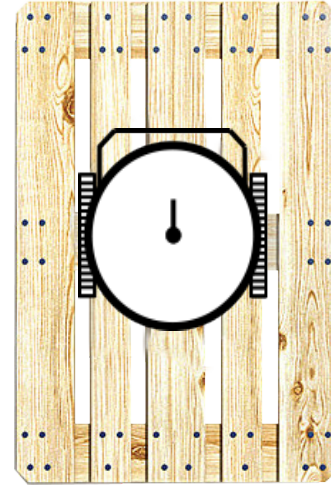
50kg Co2 WHEELED FIRE EXTINGUISHER

TECHNICAL SPECIFICATIONS

FIRE RATING	233 B
EXTINGUISHING AGENT	Co2 99,99%
TEMPERATURE RANGE	-30°C +60°C
NOMINAL CHARGE	50 Kg
FULL WEIGHT	~ 145 Kg
DIMENSIONS	Height 1270 mm Width 1425 mm Depth 580 mm
DISCHARGE TIME	48,5 sec.
VALVE TIGHTENING TORQUE	Minimum 200 Nm, Maximum 300 Nm
CYLINDER PRESSURE TEST	PT 250 bar
CYLINDER VOLUME	68 L.
SAFETY VALVE	Set between 230 and 245 bar
CYLINDER MATERIAL	Alloy steel
EXTERNAL/INTERNAL TREATMENT	Sandblast and epoxy polyester powder painting, Red Ral 3000 colour

PACKAGING

STANDARD : maximum 1 piece for pallet
Pallet dimensions 80x180x135(h) cm

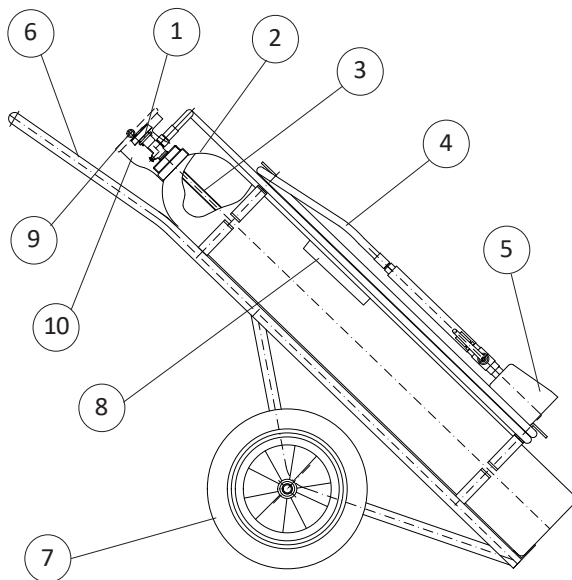


Note: the packaging quantities and measurements are indicative and can be subject at changes

MAINTENANCE AND INSTALLATION

For outdoor or marine installation is recommended to protect the fire extinguisher with cover. Maintenance according to the norm in use in utilization country.

SPARE PARTS



NUMBER	DESCRIPTION	CODE
1	Valve W 28.8	1153I
2	Cylinder	18333
3	Aluminum dip tube	18412-1
4	Hose sae 100 R1 T1/2"	18425
5	Dispensing nozzle (complete of ball valve with control lever)	0336
6	Chassis	18487
7	Wheel + wheel stop (diam. 400mm)	0125
8	Label 17504	18387
	Label 14504	18387M
9	Safety pin	-
10	Valve protection	18490

File name	Code	Date	Rele.	Check	Rev.	Pag.
ds_17504	17504	12/06/19	M.R		1.1	2

EMME ANTINCENDIO S.r.l
Via del Molino, 40 - 52010 Corsalone (AR) - Italy
info@emme-italia.com - Tel. +39.0575.511320
Others Emme Antincendio s.r.l. warehouses in Italy : Milano - Padova - Reggio Emilia
P.IVA/ C.F. 11208251006 - R.E.A. FI-632545