



EMME ANTINCENDIO S.r.l.  
www.emme-italia.com

20507

## 50 Kg Powder WHEELED FIRE EXTINGUISHER



*Note: image is for illustrative purpose only, the product purchased can has some differences*

- **CYLINDER**  
Alloy steel, epoxy polyester powder painting, Red Ral 3000.
- **EXTINGUISHING AGENT**  
ABC Powder - MAP 40 %.
- **PROPELLANT**  
Dehumidified air or N<sub>2</sub>.
- **VALVE**  
2"-F, brass body, lever with red painting Ral 3000.
- **USE**  
A B C fire rating  
(solid materials, flammable liquids, flammable gas).
- **BRACKET**  
Chassis on wheels, red painting Ral 3000.

© REPRODUCTION IS PROHIBITED

50 Kg powder wheeled fire extinguisher, temperature range from -20°C to +60°C, manufactured in accordance to **UNI 9492 (D.M. 6.3.92)**, certified according to the directive for pressure equipment PED 2014/68/EU. Quality Product certification guaranteed by Bureau Veritas Italia. Suitable for use on fire involving electrical voltages up to 1'000 V, at a distance of 1 mt.

APPROVED/CERTIFIED FIRE EXTINGUISHER:



**FIRE RATING :**



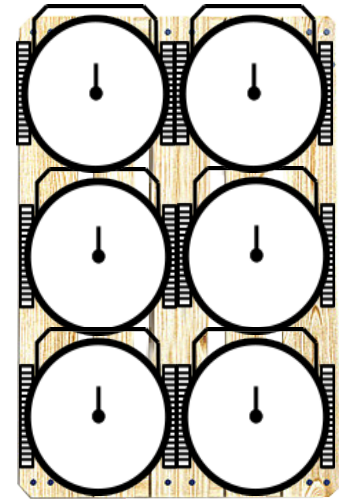
## 50 Kg Powder WHEELED FIRE EXTINGUISHER

### TECHNICAL SPECIFICATIONS

FIRE RATING	A B1 C
EXTINGUISHING AGENT	EPB 0351 (QFIRE-40) ABC Powder - MAP 40 %
PROPELLANT	Dehumidified air or N <sub>2</sub> ,14 Bar at 20°C
TEMPERATURE RANGE	-20°C / +60°C
NOMINAL CHARGE	50 Kg
FULL WEIGHT	~ 81 Kg
DIMENSIONS	Height 1155 mm Width 582 mm Depth 582 mm
DISCHARGE TIME	40 sec.
VALVE TIGHTENING TORQUE	Minimum 60 Nm, Maximum 70 Nm
CYLINDER PRESSURE TEST	PT 30 bar
CYLINDER VOLUME	62 L.
SAFETY VALVE	Set 24 +/- 2 bar
CYLINDER MATERIAL	Alloy steel
EXTERNAL/INTERNAL TREATMENT	Sandblast and epoxy polyester powder painting, Red Ral 3000 colour

### PACKAGING

STANDARD : maximum 6 pieces for pallet  
Pallet dimensions 100x120x130(h) cm

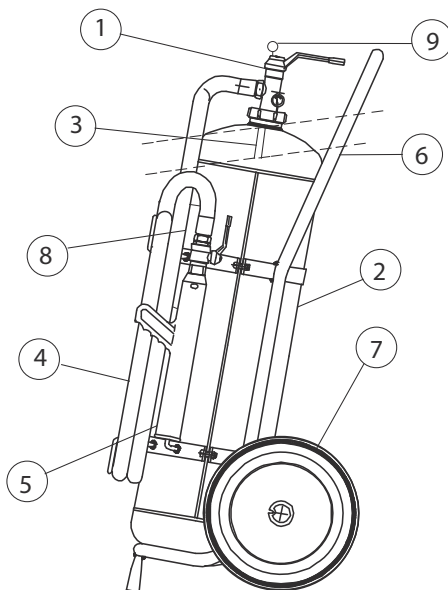


*Note: the packaging quantities and measurements are indicative and can be subject at changes*

### MAINTENANCE AND INSTALLATION

For outdoor or marine installation is recommended to protect the fire extinguisher with cover. Maintenance according to the rules in use in utilization country.

### SPARE PARTS



NUMBER	DESCRIPTION	CODE
1	Valve 2"-F	0214R
2	Cylinder	18310
3	PVC dip tube	0162
4	Hose	18421
5	Dispensing nozzle (complete of ball valve with control lever)	2181
6	Chassis	0121
7	Wheel + wheel stop (diam. 300mm)	0124
8	Label	0072
9	Safety pin	0283R
	Safety valve	0263R
	Safety pin seal	0285
	ABC powder - MAP 40 % (25 Kg recharge)	0351

File name	Code	Date	Rele.	Check	Rev.	Pag.
ds_20507	20507	23/11/17	M.R		1	2

**EMME ANTINCENDIO S.r.l**  
Via del Molino, 40 - 52010 Corsalone (AR) - Italy  
info@emme-italia.com - Tel. +39.0575.511320  
Others Emme Antincendio s.r.l. warehouses in Italy : Milano - Padova - Reggio Emilia  
P.IVA/ C.F. 11208251006 - R.E.A. FI-632545