



EMME ANTINCENDIO S.r.l.
www.emme-italia.com

12509-2

50Kg D Powder WHEELED FIRE EXTINGUISHER



- **CYLINDER**
Alloy steel, 3 pieces, epoxypolyestere powder painting, Red Ral 3000.
- **EXTINGUISHING AGENT**
D powder.
- **PROPELLANT**
Dehumidified air or N2.
- **VALVE**
Brass 2"-F, lever with red painting RAL3000.
- **USE**
D fire rating (recommended in environments with risks arising from the presence of flammable metal).
- **BRACKET**
Chassis on wheels, welded at the cylinder, red painting RAL3000.

© REPRODUCTION IS PROHIBITED

50kg D powder wheeled fire extinguisher, temperature range from -30°C to +60°C, manufactured in accordance to **EN 1866-1**, certified according to the directive for pressure equipment PED 2014/68/EU.

Quality Product certification guaranteed by Bureau Veritas Italia.

Suitable for use on fire involving voltages of up to 1000 volts.

APPROVED/CERTIFIED FIRE EXTINGUISHER:



**FIRE
RATING :**



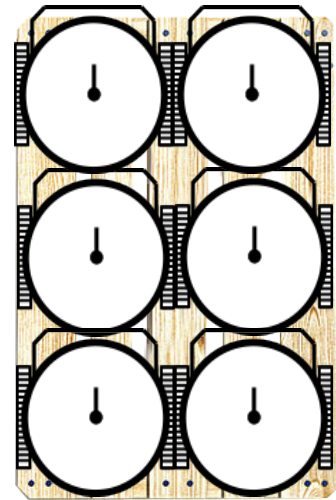
50Kg D Powder WHEELED FIRE EXTINGUISHER

TECHNICAL SPECIFICATIONS

FIRE RATING	D
EXTINGUISHING AGENT	EPD 0356 powder
PROPELLANT	Dehumidified air or N2, 14 Bar at 20°C
TEMPERATURE RANGE	-30°C +60°C
NOMINAL CHARGE	50 Kg
FULL WEIGHT	~ 79 Kg
DIMENSIONS	Height 1100 mm Width 480 mm Depth 480 mm
DISCHARGE TIME	50 sec.
MAX VALVE TIGHTENING	Between 50 and 60 Nm
CYLINDER PRESSURE TEST	PT 30 bar
CYLINDER VOLUME	60 L.
SAFETY VALVE	Set 24 +/- 2 bar
CYLINDER MATERIAL	Alloy steel
EXTERNAL/INTERNAL TREATMENT	Sandblast and epoxy polyester powder painting, Red Ral 3000 colour

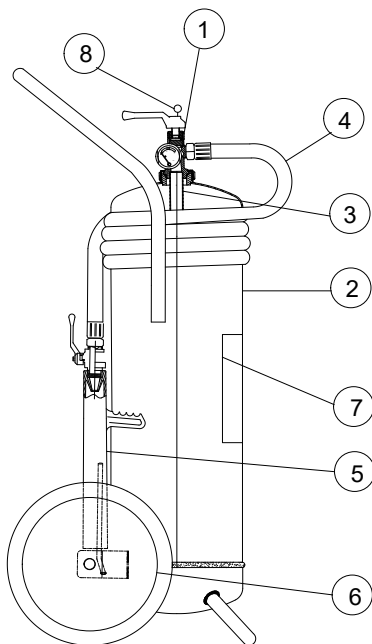
PACKAGING

STANDARD :
max 6 pieces on pallet 100x120x145



MAINTENANCE AND INSTALLATION

For outdoor or marine installation is recommended to protect the fire extinguisher with cover. Maintenance according to the norm in use in utilization country.



SPARE PARTS

NUMBER	DESCRIPTION	CODE
1	Valve 2''-F	0214R
2	Cylinder	18309
3	PVC dip tube	0162
4	Hose	18421
5	Dispensing nozzle (complete of ball valve with control lever)	2181
6	Wheel + wheel stop (diam. 300mm)	0124
7	Label	0072-1
8	Safety pin	0283R
	Safety valve	0263R
	Safety pin seal	0285
	D powder	0356

EMME ANTINCENDIO S.r.l

Factory: Via del Molino, 40 - 52010 Corsalone (AR) - Italy - Tel. +39.0575.511320
Warehouse MI: Via G. Di Vittorio, 11 - 20017 Mazzo di Rho (MI) - Italy - Tel. +39.0293900399
Warehouse PD: Via Polonia, 35 - 35127 Padova (PD) - Italy - Tel. +39.049.6453824
E-mail: info@emme-italia.com - web site: www.emme-italia.com
P.IVA/ C.F. 11208251006 - R.E.A. FI-632545

File name	Code	Date	Rele.	Check	Rev.	Pag.
ds_12509-2	12509-2	23/11/17	M.R	AA	1	2